

NS KOMATSU

DRIVESHAFTS & UNIVERSAL JOINTS TO SUIT

MODEL	APPLICATION	DRIVESHAFT NO.	JOINT NO.
		NO JOINTS INCLUDED	NO BOLTS INCLUDED
465.5	Engine to Transmission	569.20.61000	569.20.61100
465.5	Transmission to Diff	569.20.62000	569.20.62100W
475A	Driveshaft	198.20.32110	198.20.31101
785.3	Engine to Transmission	561.20.61000	561.20.61100
785.3	Transmission to Diff	561.20.62000	561.20.62100W
WA800.2	Front Driveshaft	427.20.13111	427.20.12620
WA800.2	Centre Driveshaft	427.20.12111	427.20.12620
WA800.2	Rear Driveshaft	427.20.12112	427.20.12620
WA1200.3	Front Driveshaft	42C.20.13112	427.20.12620
WA1200.3	Centre Driveshaft	42C.20.12120	427.20.12620
WA1200.3	Rear Driveshaft	42C.20.14113	427.20.12620



Driveshafts Australia - Komatsu & Caterpillar Components

NOW AVAILABLE

FROM



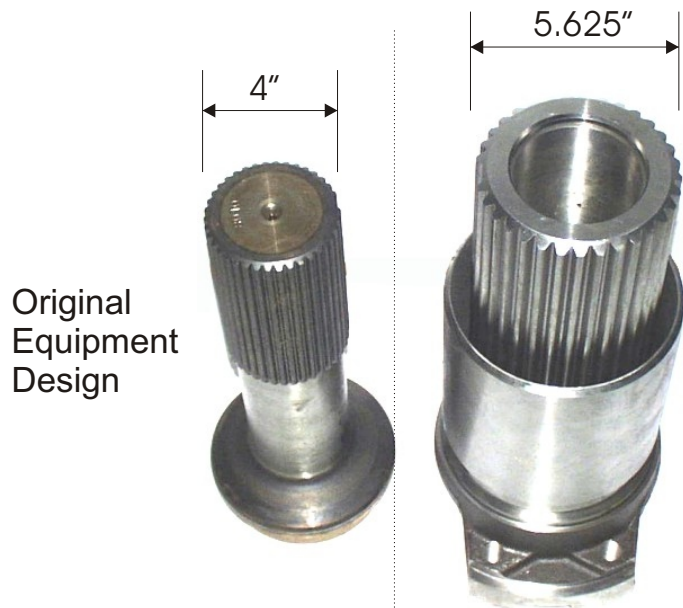
DRIVESHAFTS AUSTRALIA PTY LTD

Unit 5/12 Carol Rd, Maddington, WA 6109

PH: (08) 9459 2777

FAX: (08) 9459 2773

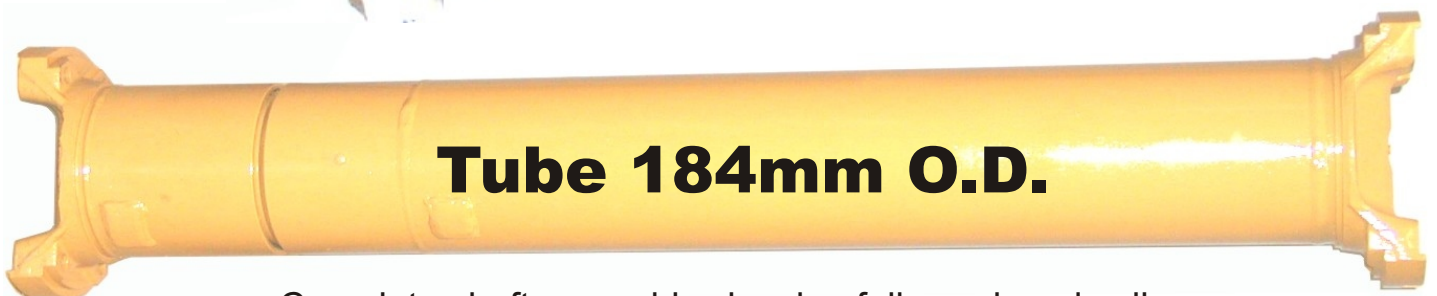
SPLINE COMPARISONS



Old Dust Cap Seal Design



New Superior Sealing Design



Complete shaft assembly showing fully enclosed splines.



Unit 5/12 Carol Rd, Maddington, WA 6109

PH: (08) 9459 2777

FAX: (08) 9459 2773

CATERPILLAR

DRIVELINE COMPONENTS

MODEL	COMPONENT	PART No.
773	Main Driveshaft (No Universal Joints)	9D3520
	Universal Joint (Includes Bolts)	9V7710
777	Main Driveshaft (No Universal Joints)	2G4080
	Universal Joint (Includes Bolts)	2G4157
785	Main Driveshaft (No Universal Joints)	8X0498
	Universal Joint (Includes Bolts)	8X0432
	Bolts Imperial	2N2486
789	Main Driveshaft (No Universal Joints)	8X0465
	Universal Joint (Includes Bolts)	8X0432
	Bolts Imperial	2N2486
793	Main Driveshaft (No Universal Joints)	8X0249
	Universal Joint (Includes Bolts)	8X0432
	Bolts Imperial	2N2486
992C	Main Driveshaft (No Universal Joints)	2V4778
	Universal Joint (Includes Bolts)	2V4444
	Bolts Imperial	4V8398
992D	Main Driveshaft (No Universal Joints)	112.4881
	Universal Joint (Includes Bolts)	9C3101
	Bolts Imperial	4V8398
992G	Main Driveshaft (No Universal Joints)	146.4251
	Universal Joint (Includes Bolts)	8R7036
	Bolt Metric	9X6480
994	Main Driveshaft (No Universal Joints)	112.4885
	Universal Joint (Includes Bolts)	8X0432



Unit 5/12 Carol Rd, Maddington, WA 6109

PH: (08) 9459 2777

FAX: (08) 9459 2773